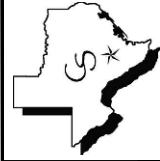
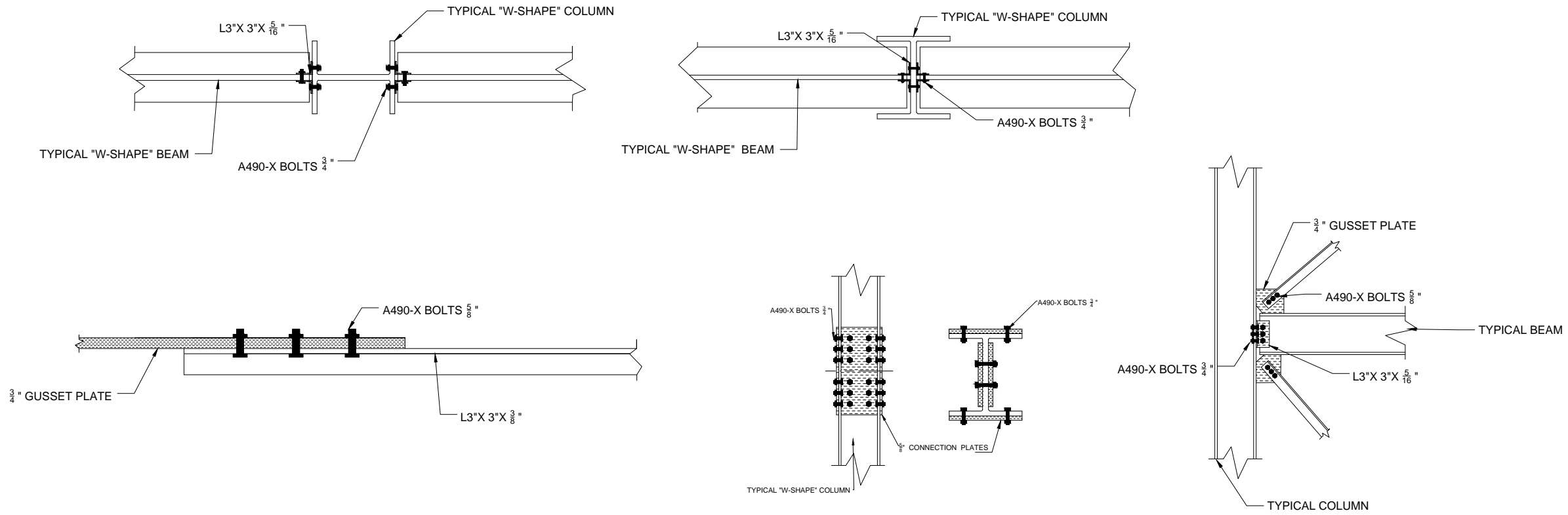


CONNECTION DETAILS



CIVIL SOLUTIONS
ENGINEERING
171 ROYAL TRAIL, SUITE 200
DUBLIN, TEXAS 76841
TEXAS REGISTERED ENGINEERING FIRM
CIVIL ENGINEERS SURVEYORS LAND PLANNERS CONSTRUCTION MANAGERS CONSULTANTS

PRELIMINARY - NOT FOR CONSTRUCTION

2nd, 3rd, & 4th FLOORS
FOR
LOFTS AT LA PERLITA
SAN ANTONIO, TEXAS

JOB NO.	2014.01
DATE	11/11/2014
CHECKED	JAW
TITLE	2ND, 3RD, 4TH
SHEET	4 OF 6